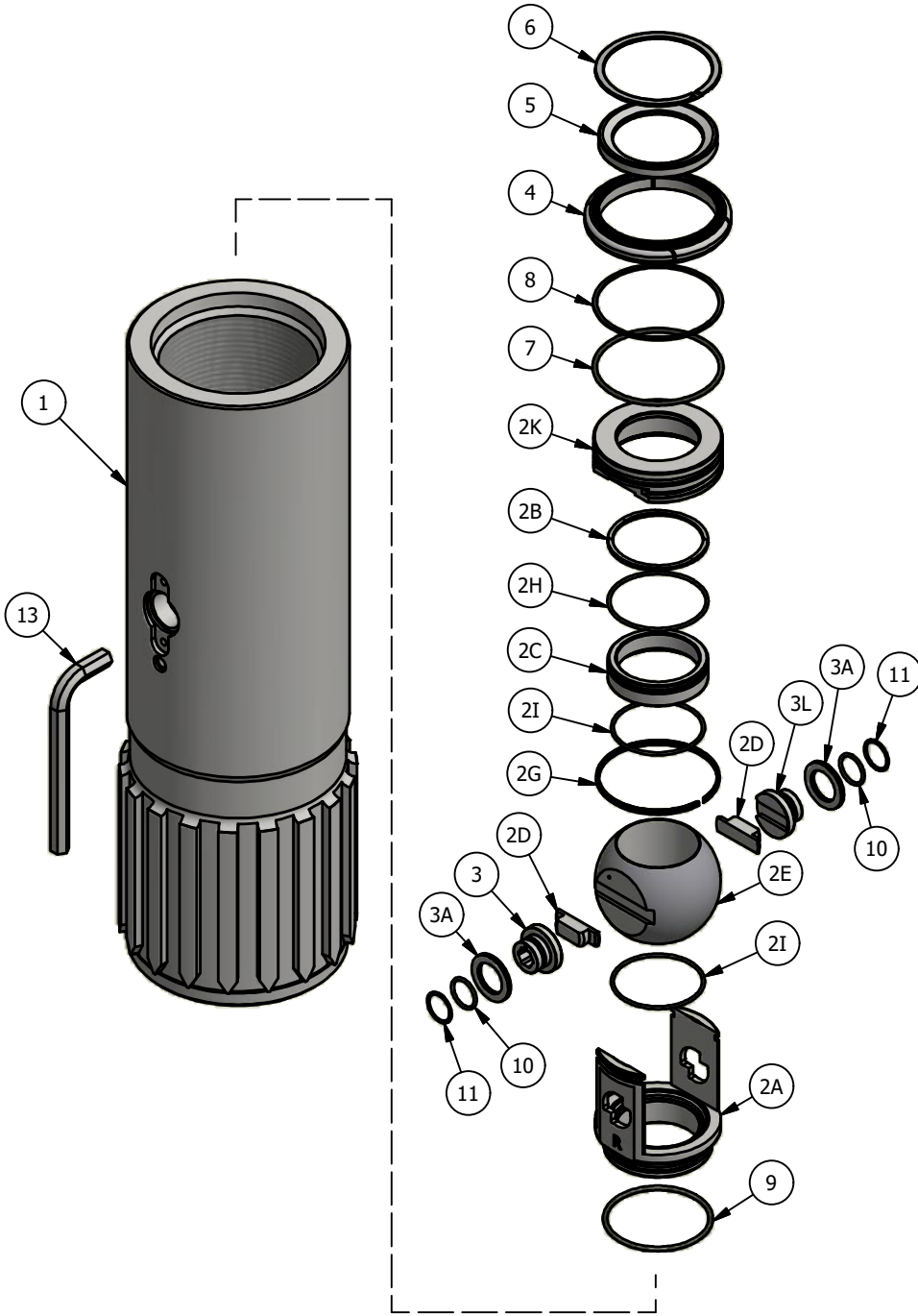


# CANISTER GUARD UPPER TOP DRIVE SAFETY VALVE



| PARTS LIST |     |   |
|------------|-----|---|
| ITEM       | QTY | DESCRIPTION                                     |
| 1          | 1   | VALVE BODY                                      |
| 2          | 1   | COMPLETE CANISTER<br>ITEMS 2A-2K, 7, 8, 9       |
| 2A         | 1   | CAGE  |
| 2B         | 1   | SPRING  |
| 2C         | 1   | UPPER SEAT                                      |
| 2D         | 2   | STEM LINK                                       |
| 2E         | 1   | BALL  |
| 2G         | 1   | CAGE/SEAT FASTENER                              |
| 2H         | 1   | UPPER SEAT O-RING                               |
| 2I         | 2   | UPPER/LOWER SEAT TEFLON RING                    |
| 2K         | 1   | UPPER SEAT HOUSING                              |
| 3          | 1   | STEM (RIGHT HAND)                               |
| 3L         | 1   | STEM (LEFT HAND)                                |
| 3A         | 2   | THRUST BEARING                                  |
| 4          | 1   | LOCKING SEGMENTS                                |
| 5          | 1   | SUPPORT RING                                    |
| 6          | 1   | SPIRAL RETAINER RING                            |
| 7          | 1   | UPPER SEAT HOUSING O-RING                       |
| 8          | 1   | UPPER SEAT HOUSING BACK-UP<br>RING              |
| 9          | 1   | CANISTER O-RING                                 |
| 10         | 2   | STEM O-RING                                     |
| 11         | 2   | STEM BACK-UP RING                               |
| 13         | 1   | WRENCH  |
| 14         |     | MAJOR SEAL KIT<br>ITEMS 2H, 2I, 7, 8, 9, 10, 11 |
| 15         |     | MAJOR PARTS KIT<br>ITEMS 2, 3, 3L, 3A, 10, 11   |

**NOTE:**

1) THIS ASSEMBLY IS ONLY APPLICABLE TO THE 3-82 CANISTER SIZE.



**M&M International**  
P.O. Box 321  
Cade, LA 70519  
(337) 364-4145

DOCUMENT NUMBER: MM-GAD-UTDV-382  
REVISION NUMBER: 0  
DOCUMENT DATE: JUNE 10, 2019  
APPROVED BY: J. HINCAPIE

PROPERTY OF M&M INTERNATIONAL, INC. REPRODUCTION IN ANY FORM IS PROHIBITED WITHOUT WRITTEN, SIGNED AUTHORIZATION. MANUFACTURING FROM THIS PRINT EXPRESSES NO WARRANTY AS TO ACCURACY AND/OR WORKABILITY.